

Biirroo Lafaa fi Eegumsa Naannoo Oromiya የአርማያ የመሬትና የአካባቢ ጥበቃ ቢሮ

Oromia Land & Environmental Protection Bureau

WARAQAA RAGAA QABIYYEE LAFAA -----

የ----- መሬት ይዞታ የምስክር ወረቀት
----- **HOLD LAND CERTIFICATE**



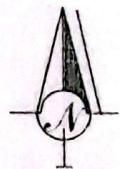
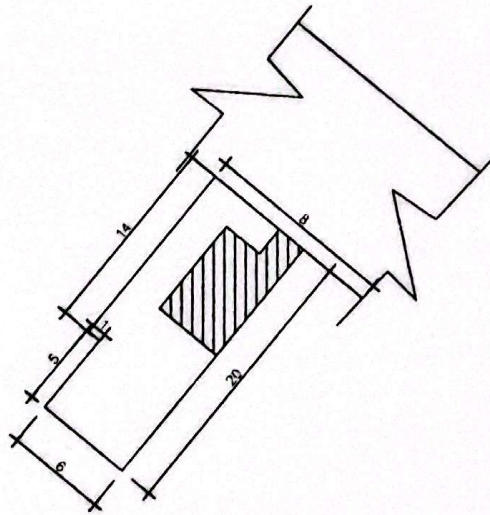
Bulchinsa Mootummaa Naannoo
Oromiyaatti Biirroo Lafaa fi Eegumsa
Naannoo Hundeesuu fi Aangoo fi hojii
Burrichaa murteesuuf bahe labsii lakk.
147/2001 irrati hundaa' uudhaan lafa
sq.meetrii(m2) _____ Bulchiinsa
Magaalaa **Adaamaa** keessati argamu
Obbo/Aadda **Meheloesel Damuzaa**
tajaajila **Mana Jireenyaa** f wagгаа
-----f waggaati qarshii _____
kafaluudhan akka itti fayadamanu waraqaan
raga kun kennameera.

በአርማያ ብሔራዊ ክልላዊ መንግስት
የመሬትና አካባቢ ጥበቃ ቢሮ ለማጽጸም ስልጣንና
ተግባሩን ለመወሰን በወጣው አዋጅ
ቁጥር 147/2001 መሰረት
በግድረግ የ _____ ከተማ
አስተዳደር በ _____ ቀበሌ
ውስጥ የሚገኝ-ውን _____ ሜ.ካ. መሬት
ለተ/ወ/ር/ተ/ጽ/ፊ _____
ለ _____ አገልግሎት ለ _____ ዓመት
በዓመት ብር _____ በመክፈል አንዲጠቀሙበት ይህ
የምስክር ወረቀት ተሰጥቷል

Based on Oromia Regional Government
proclamation No. 147/2001, to provide for
establishment and definition of boundaries and
duties of Oromia Bureau of Land and
Environmental Protection the Administration
of _____
City issued this
certificate for the possession of _____
m² of land located in _____
kebele, to
Mr./Mrs/org _____
for _____ years.



Lakk. /ቁጥር/ Ref. No. **3-12-22/2001**
Guyyaa /ቀን/ Date **24/05/2003**



DIRQAMA SEERUMMAA

Madaalaa/ሜ.ሳ/ Scale 1:500

Ani **Meheloesel Damuzaa** mana iddoo saayilii irrattii armaan olii mul'ate bu'uura labsii
lakk _____ / _____ keyyataa baheen fooyyesuudhaf ykn tajaajila manichaa jijjiiruudhaaf yoo
barbadee hayama w/ra fudhachuuf dirqama seeneera./Ijaaree yoo argamee waajjirichii diguunidanda.a

Teesawo /አድራሻ/ Location			Lakk Addaa /Iddoofhara	Sadaqaa lafa /የወ.ደ.ብ/ Land grade	Asiisa waa /የወ.ደ.ብ/ Plot area	Tajajila lafa /የወ.ደ.ብ/ Land use	Ramada lafa /የወ.ደ.ብ/ Land use	Uunuma Gannoo /የግንባታ ስነ-ምግባር/ Height requirement	Uumamaa Qabiyyaa /የግንባታ ግንባታ/ Project cost
Margadaa /Sub. City	Aljoon Margadaa /Sub. City	Qanne /Kebele	የወ.ደ.ብ / Plot No						
Adaa		12	-	laa	138.12	MLU	R ₃	CT+D	15,296.64

Kan Qopheessee /የዘጋጀው/ Prepared by:
Maqaa /ስም/ Name: **SB Tafese Damuzaa**
Gahere Hoji /የወ.ደ.ብ/ Position: **Jeneraalistii Doeskii Lafaa fi Eegumsa Naannoo Ganda 12**
Mallattoo /ሐ.ር.ማ/ Signature: _____
የወ.ደ.ብ 12 የመሬትና የአካባቢ ጥበቃ ቢሮ

Kan Mirkanessee /የሰጠው/ Approved by:
Maqaa /ስም/ Name: **Tafese Damuzaa**
Gahere Hoji /የወ.ደ.ብ/ Position: **Jeneraalistii Doeskii Lafaa fi Eegumsa Naannoo Ganda 12**
Mallattoo /ሐ.ር.ማ/ Signature: _____
የወ.ደ.ብ 12 የመሬትና የአካባቢ ጥበቃ ቢሮ